

ACN and ACE series

- highest measurement precision
- very good indication readability
- large draft shield
- automatic internal calibration (ACN)
- RS232C and USB-B interfaces for printer, computer, label printer and barcode reader



Analytical balances ACN and ACE series are designed for use in laboratories, pharmacies, jewelry and research institutes where high accuracy of measurement is required.

 external calibration	 date/time	 unit selection	 animals weighing
 internal calibration	 printout config.	 weighing speed selection	 density measurement
 GLP compatibility	 pieces counting	 threshold/selection	 force measurement
	 percentage	 max weight	 recipe
	 summation	 min weight	 statistics
		 Alibi memory	

Options on demand



Under hook weighing

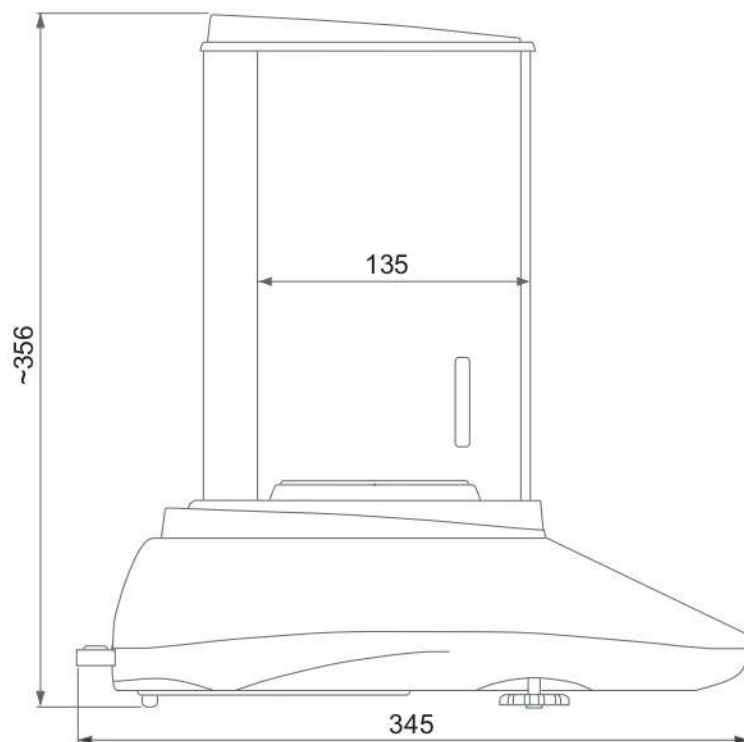
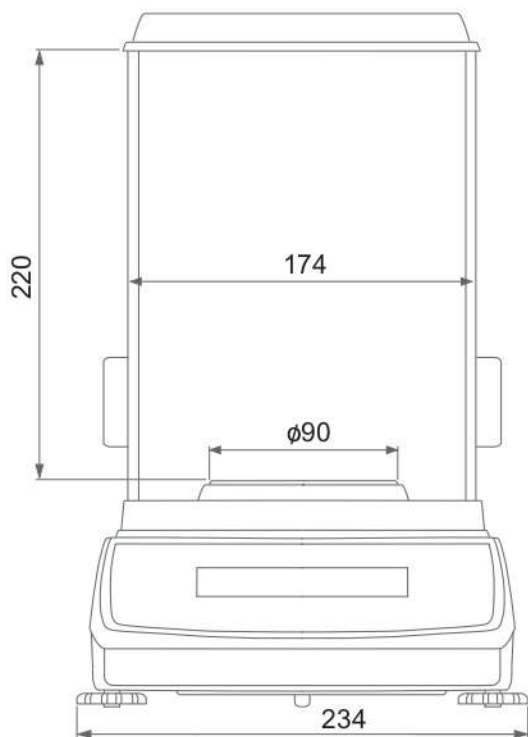


ACN hydro set



Cooperation with barcode reader and printer

- hook for hanging weighed object
- ACN hydro set to measure density of liquids and solids
- LAN or Wi-Fi interface to work with computer
- barcode reader interface (RS232C+supply)
- computer software: Statistics **freeware**, Communication **freeware** - saving to file, ProCell - export to Excel



Technical data

	ACN120	ACN220
	ACE120	ACE220
Balances with int. calib.		
Balances without int. calib.		
Capacity (Max)	120g	220g
Reading unit (d)	0,1mg	0,1mg
Verification unit (e)	1mg	1mg
Tare range	-120g	-220g
Accuracy class	I	
Repeatability	0,1mg	
Linearity	$\pm 0,2$ mg	
Working temperature	$+18 \div +35^{\circ}\text{C}$	
Weighing time	<5s	
Units	mg, g, ct, lb, oz, ozt, gr, dwt	
Display	backlighted LCD, digits height 18mm	
Interfaces	RS232, USB-B	options: LAN or Wi-Fi
Pan size	$\phi 90$ mm	
Dimensions (with legs)	234x345x356mm	
Draft shield dimensions	174x135x220mm	
Power supply	$\sim 230\text{V}$ 50Hz 6VA / $\approx 12\text{V}$ 1,2A	
Balance weight	5,2kg	
Recommended std. of mass	E2 50g	E2 100g
		E2 200g

Balances with verification option **M**